



*Stereophonic*

# THE FISHER 500-C

# SERVICE

# MANUAL



MODEL 500-C

CHASSIS SERIAL NUMBERS  
FROM 30001 TO 49999 INCLUSIVE

PRICE: \$1.00

FISHER RADIO CORPORATION • NEW YORK



# THE FISHER 500-C

CHASSIS SERIAL NUMBERS FROM 30001 TO 49999 INCLUSIVE



# PARTS DESCRIPTION LIST

## CAPACITORS

10% tolerance for all fixed capacitors, unless otherwise noted or marked GMV (guaranteed minimum value).  
All capacitors not marked uf are pF (uuf).

Symbol	Description	Part No.
C1, 2	Ceramic, 100, GMV, N1500, 1000V	C50070-5
C3	Ceramic, 21, 5%, N750, 1000V	C50070-32
C4	Ceramic, 8, 5%, NPO, 1000V	C50070-45
C5	Ceramic Trimmer	C662-123
C6	Ceramic, 1000, GMV, 500V	C50089-2
C8	FM Variable	C966-109-1
C9	Ceramic, 1000, GMV, 500V	C50089-2
C11	Ceramic, Feedthru, 1000, GMV	C592-187
C12	Ceramic Trimmer	C662-123
C13, 14	Ceramic, .01uf, 20%, 500V	C50089-3
C15	Ceramic, 8, 5%, NPO, 1000V	C50070-45
C16, 17	Mylar, .022uf, 250V	C50197-49
C18	Ceramic, 68, 5%, N750, 1000V	C50070-35
C19	Ceramic Trimmer	C662-123
C20	Ceramic, 24, 5%, N150, 1000V	C50070-8
C21	Ceramic, 100, 5%, N1500, 1000V	C50070-19
C22, 23	Ceramic, 100, N1500, 1000V	C50070-6
C24	Ceramic, 8, ±.5, N330, 500V	CC205J080D5
C26	Ceramic, 1000, 1000V	C50072-3
C27, 28	Ceramic, Feedthru, 1000, GMV	C592-187
C29	Ceramic, .02uf, +80 — 20%, 500V	C50089-4
C30	Ceramic, 120, N1500, 1000V	C50070-9
C31	Ceramic, 24, 5%, N150, 1000V	C50070-8
C32	Ceramic, 120, N1500, 1000V	C50070-9
C33	Ceramic, 24, 5%, N150, 1000V	C50070-8
C34	Ceramic, 5000, +80 — 20%, 500V	C50089-6
C35, 36	Ceramic, 1000, 1000V	C50072-3
C37	Ceramic, 2700, 1000V	C50072-17
C38	Ceramic, 2200, 1000V	C50072-5
C39	Ceramic, .02uf, 20%, 500V	C50089-5
C40	Ceramic, 2200, 1000V	C50072-5
C41	Ceramic, .02uf, 20%, 500V	C50089-5
C42	Ceramic, 5000, +80 — 20%, 500V	C50089-6
C43	Ceramic, .02uf, GMV, 1000V	C50071-6
C44, 45	Ceramic, 5000 +80 — 20%, 500V	C50089-6
C46	Ceramic, 2700, 1000V	C50072-17
C47, 48	Ceramic, 100, 5%, N1500, 1000V	C50070-19
C49	Ceramic, 24, 5%, N150, 1000V	C50070-8
C50	Ceramic, .02uf, +80 — 20%, 500V	C50089-4
C51	Electrolytic, 2uf, 70V	C721-142
C52, 53	Mylar, .047uf, 400V	C50197-30
C54, 55	Ceramic, 820, 1000V	C50072-7
C56	Ceramic, 2700, 1000V	C50072-17
C57	Electrolytic, 5uf, 350V	C50283-7
C58	Ceramic, 5000, +80 — 20%, 500V	C50089-6
C59	Mylar, .1uf, 125V	C50435-7
C60	Ceramic, 560, 1000V	C50072-14
C61	Mylar, 1uf, 125V	C50435-7
C62	Ceramic, 5000, +80 — 20%, 500V	C50089-6
C63	Ceramic, 68, N2200, 1000V	C50070-12
C64, 65	Ceramic, .02uf, 20%, 500V	C50089-5
C66	Ceramic, 2700, 1000V	C50072-17
C67	Ceramic, 5000, +80 — 20%, 500V	C50089-6
C68	Polystyrene, 1800, 5%, 125V	CP50394-11
C69, 70	Electrolytic, 50uf, 10V	C50283-6
C71	Ceramic, 330, 1000V	C50072-1
C72	Mylar, .1uf, 125V	C50435-7
C75, 76	Ceramic, 330, 1000V	C50072-1
C77	Mylar, .047uf, 630V	C50197-101
C78	Mylar, .047uf, 250V	C50197-52
C79	Mylar, .047uf, 630V	C50197-101
C80	Mylar, .047uf, 250V	
C81	Ceramic, 1000, 1000V	
C82	Ceramic, 18, N470, 1000V	
C83	Ceramic, 1000, 1000V	
C84	Ceramic, 18, N470, 1000V	
C85	Electrolytic, 8uf, 50V	
C86	Mylar, .1uf, 125V	
C89, 90	Ceramic, 5000, +80 — 20%, 500V	
C91	Electrolytic, 4 Section: A — 20uf, 300V B — 40uf, 400V C — 40uf, 450V D — 40uf, 500V	
C92	Electrolytic, 4 Section: A — 50uf, 250V B — 50uf, 250V C — 50uf, 250V D — 200uf, 250V	
C93, 94, 95, 96	Ceramic, 5000, +80 — 20%, 500V	C50089-6
C97	Electrolytic, 2 Section: A — 1000uf, 35V B — 1000uf, 35V	C50180-38
C98	Electrolytic, 200uf, 250V	C50180-20
C99, 100, 101	Ceramic, 5000, +80 — 20%, 500V	C50089-6
C102, 103	Molded, .01uf, 20%, 600V	C2747
C104, 105	Ceramic, Feedthru, 1000, GMV	C592-187
C106	Ceramic, 68, N2200, 1000V	C50070-12
C107	Mylar, .1uf, 125V	C50435-7

## RESISTORS AND POTENTIOMETERS

In ohms, 5% tolerance, 1/8 Watt unless otherwise noted. K = Kilohm, M = Megohm.

Symbol	Description	Part No.
R1	Composition, 270, 10%, 1/2 W	RC20BF271K
R2	Composition, 100K, 10%, 1/2 W	RC20BF104K
R3	Dep. Carbon, 220K	R12DC224J
R4	Dep. Carbon, 150K	R12DC154JD
R5	Dep. Carbon, 68K	R12DC683J
R6	Dep. Carbon, 150K	R12DC154J
R7	Dep. Carbon, 68K	R12DC683J
R8	Dep. Carbon, 220K	R12DC224J
R10	Dep. Carbon, 10K	R12DC103J
R11	Dep. Carbon, 100K	R12DC104J
R12	Glass, 2.7K, 1/2 W	R20G272J
R13	Dep. Carbon, 10	R12DC100J
R14	Dep. Carbon, 10K	R12DC103J
R15	Dep. Carbon, 100K	R12DC104J
R16	Glass, 2.7K, 1/2 W	R20G272J
R17	Dep. Carbon, 10	R12DC100J
R18, 19	Glass, 330K, 1W	R30G334J
R20	Dep. Carbon, 220K	R12DC224J
R21	Dep. Carbon, 4.7M, 1/3 W	R33DC475J
R22	Dep. Carbon, 220K, 1/3 W	R33DC224J
R23	Dep. Carbon, 4.7M, 1/3 W	R33DC475J
R24	Dep. Carbon, 220K, 1/3 W	R33DC224J
R25, 26	Dep. Carbon, 330K	R12DC334J
R27	Dep. Carbon, 390	R12DC391J
R28	Dep. Carbon, 220K	R12DC224J
R29, 30	Dep. Carbon, 82K	R12DC823J
R31	Dep. Carbon, 1.2K	R12DC122J
R32	Dep. Carbon, 1K	R12DC102J
R33, 34	Dep. Carbon, 330K	R12DC334J
R35	Dep. Carbon, 56K	R12DC563J
R36	Glass, 4.7K, 10%, 3W	RPG3W472K
R37	Composition, 3.3K, 10%, 1W	RC30BF332
R38, 39	Dep. Carbon, 470K	R12DC474J
R40	Dep. Carbon, 2.7M, 1/3 W	R33DC275J



# PARTS DESCRIPTION LIST

R41, 42	Dep. Carbon, 1.5M, 1/3 W	R33DC155J	R128	Dep. Carbon, 2.2K, 1/3 W	R33DC222J
R43	Composition, 180, 10%, 1/2 W	RC20BF181K	R129, 130	Dep. Carbon, 1K, 1/3 W	R33DC102J
R44	Dep. Carbon, 120K, 1/3 W	R33DC124J	R131	Dep. Carbon, 15K, 1/3 W	R33DC153J
R45	Dep. Carbon, 1K, 1/3 W	R33DC102J	R132	Dep. Carbon, 5.6K, 1/3 W	R33DC562J
R46	Dep. Carbon, 120K, 1/3 W	R33DC124J	R133	Composition, 82K, 10%, 1/2 W	RC20BF823K
R47	Dep. Carbon, 2.7M, 1/3 W	R33DC275J	R135	Composition, 2.7K, 10%, 1W	RC30BF272K
R48	Dep. Carbon, 1K, 1/3 W	R33DC102J	R136	Glass, 470, 10%, 3W	RPG3W471K
R49	Dep. Carbon, 39K	R12DC393J	R139	Composition, 1.2K, 10%, 1W	RC30BF122K
R50	Composition, 27K, 10%, 1/2 W	RC20BF273K	R140	Wirewound, 25, 10%, 5W	R688-117
R51	Composition, 1K, 10%, 1/2 W	RC20BF102K	R142	Wirewound, 15, 10%, 5W	R719-106
R52	Dep. Carbon, 680K	R12DC684J	R143	Glass, 1.2K, 10%, 7W	RPG7W122K
R53	Potentiometer, 500K, Dual Treble	R50150-101-2	R144	Glass, 470, 10%, 3W	RPG3W471K
R54	Potentiometer, 500K, Dual Bass	R50160-101-2	R145, 146	Composition, 330, 10%, 1W	RC30BF331K
R55	Dep. Carbon, 680K	R12DC684J	R149	Composition, 820K, 10%, 1/2 W	RC20BF824K
R58	Dep. Carbon, 1K	R12DC102J			
R59	Composition, 150, 10%, 1/2 W	RC20BF151K			
R60	Composition, 10K, 10%, 1/2 W	RC20BF103K			
R61	Composition, 100, 10%, 1/2 W	RC20BF101K			
R62	Composition, 47K, 10%, 1/2 W	RC20BF473K			
R63	Composition, 1K, 10%, 1/2 W	RC20BF102K			
R64	Dep. Carbon, 680K	R12DC684J			
R66	Dep. Carbon, 120K, 1/3 W	R33DC124J			
R67	Dep. Carbon, 1K, 1/3 W	R33DC102J			
R68	Dep. Carbon, 120K, 1/3 W	R33DC124J			
R69	Dep. Carbon, 1K, 1/3 W	R33DC102J			
R70	Dep. Carbon, 2.2M, 1/3 W	R33DC225J			
R71	Dep. Carbon, 820K	R12DC824J			
R72, 73	Dep. Carbon, 220K	R12DC224J			
R74	Dep. Carbon, 68K	R12DC683J			
R75	Dep. Carbon, 270K	R12DC274J			
R76	Dep. Carbon, 56K	R12DC563J			
R77	Dep. Carbon, 150K	R12DC154J			
R78, 79	Dep. Carbon, 2.7M, 1/3 W	R33DC275J			
R80	Composition, 100, 10%, 1/2 W	RC20BF101K			
R81	Dep. Carbon, 22K	R12DC223J			
R82	Composition, 82K, 10%, 1/2 W	RC20BF823K			
R83	Dep. Carbon, 470K, 1/3 W	R12DC474J			
R84	Potentiometer, 300K, Dual Balance	R50160-130			
R85	Composition, 220, 10%, 1/2 W	RC20BF221K			
R86	Composition, 1K, 10%, 1/2 W	RC20BF102K			
R87	Dep. Carbon, 180	R12DC181J			
R88, 89	Dep. Carbon, 820K	R12DC824J			
R90	Dep. Carbon, 47K	R12DC473J			
R91, 92	Dep. Carbon, 22K	R12DC223J			
R93, 94	Dep. Carbon, 820K	R12DC824J			
R95	Potentiometer, 500K, Dual Volume	R50160-104			
R96	Wirewound, 25, 10%, 5W	R688-117			
R97	Composition, 68K, 10%, 1/2 W	RC20BF683K			
R98, 99,					
100	Dep. Carbon, 47K	R12DC473J			
R101	Dep. Carbon, 470K, 1/3 W	R33DC474J			
R103	Dep. Carbon, 220, 1/3 W	R33DC221J			
R104	Dep. Carbon, 470K, 1/3 W	R33DC474J			
R105	Dep. Carbon, 2.2K, 1/3 W	R33DC222J			
R106	Dep. Carbon, 220, 1/3 W	R33DC221J			
R107	Composition, 1K, 10%, 1/2 W	RC20BF102K			
R108, 109	Potentiometer, 25K	R50103-2			
R110	Composition, 270, 1/2 W	RC20BF271J			
R111, 112	Dep. Carbon, 33K, 1/3 W	R33DC333J			
R113	Dep. Carbon, 180K, 1/3 W	R33DC184J			
R114	Dep. Carbon, 68K, 1/3 W	R33DC683J			
R115	Dep. Carbon, 180K, 1/3 W	R33DC184J			
R116	Dep. Carbon, 68K, 1/3 W	R33DC683J			
R117	Dep. Carbon, 2.2K, 1/3 W	R33DC222J			
R118	Composition, 1.5K, 1/2 W	RC20BF152J			
R119	Composition, 1K, 1/2 W	RC20BF102J			
R120	Composition, 220, 10%, 1/2 W	RC20BF221K			
R121, 122,					
123	Dep. Carbon, 330K	R12DC334J			
R125	Dep. Carbon, 15K	R12DC153J			
R126, 127	Dep. Carbon, 1K, 1/3 W	R33DC102J			

## COILS, CHOKES & TRANSFORMERS

Symbol	Description	Part No.
L1	FM Antenna Coil	L966-113
L2	FM RF Coil	L1034-113
L3	FM Mixer Coil	L966-115
L4	FM Oscillator Coil Assembly	A5966-107
L5	Choke, .68 Microhenry	L50066-1
L6, 7	Choke, 1.2 Microhenry	L50066-3
L9	Choke, 3.3 Microhenries	L50066-8
T1	Transformer Output	T991-116-1
T2	Transformer Output	T991-116-2
T3	Transformer, Power	T991-115
Z1	Transformer, FM IF	ZZ50210-42
Z2	Transformer, FM IF	ZZ50210-39
Z3	Transformer, FM IF	ZZ50210-2
Z4	FM Limiter Coil	ZZ50210-6
Z5	FM Ratio Detector	ZZ50210-9

## MISCELLANEOUS

Symbol	Description	Part No.
CR1, 2, 3, 4	Diode, Silicon	V50260-10
CR5	Diode, Silicon	SR50411-1
CR6	Selenium Rectifier, Bridge	SR50253-1
CR7	Diode, Silicon	SR50411-1
F1	Fuse, 3.2 Amp, Slo-Blo	F3319
I1, 2	Lamp, #47 OF	I50009-4
I3, 4	Lamp, Dial	I50441-4
J17	Jack, Headphone	J846-120-1
M1	Meter, Tuning	M990-124
PC1, 2	Printed Circuit, Equalization	PC50187-3
PC3, 4	Printed Circuit, Tone Control	PC50187-9
PC5, 6	Printed Circuit, High Filter	PC50187-2
RL1	Relay	K50314
S1	Switch, Selector	S991-112
S2	Switch, Slide, FM Filter	S50200-5
S3	Switch, Speaker Selector	S990-130
S4	Switch, Loudness Contour	S990-129
S5, 6, 7	Switch, Slide	S50200-5
S8	Switch, Power	Part of R95
—	FM Dipole	A550227-1
—	Dress Panel	A5991-108
—	Knob, Dummy Dual	E50324
—	Knob, Dual Rear	E50321
—	Knob, Dual Front	E50321
—	Knob, Speaker Selector	E50325-1
—	Knob, Tuning	E50325-2
—	Dial Glass	N991-107
—	Fuse Holder	X563-151

# ALIGNMENT INSTRUCTIONS

**Read These Instructions With Extreme Care Before Attempting Alignment.**

**CHASSIS:** Turn the station selector completely counterclockwise, without forcing. Dial pointer should be at zero index mark on logging scale. If not, reset the dial pointer. Disconnect the external antenna.

When using an oscilloscope for alignment, set the output level controls for no overload, as shown by the proper waveform shape. Connect loads to main output and turn volume control to minimum.

**SIGNAL GENERATORS:** The signal generator equipment must be able to supply the following: FM RF modulated 30% ( $\pm 22.5$  KC deviation) at 400 cps,

**INDICATOR:** DC VTVM, AC VTVM, and scope for alignment.

**ALIGNMENT:** Allow the chassis and test instruments to warm up for at least fifteen minutes. Adjust the line voltage for 117 volts AC, 50-60 cycles. Use fully insulated tools: a small screwdriver for all trimming capacitors; a K-Tran tool for Z1, Z2, and Z3; a hex tool for L1, L2, L3, L4, Z4, and Z5.

**NOTE: For calibrating use as low an output voltage as possible from your signal generator.**

STEPS	CHASSIS		SIGNAL GENERATOR			INDICATOR		ALIGNMENT	
	SELECTOR	STATION SELECTOR	COUPLING	FREQ.	MOD.	TYPE	CONNECTION	ADJUST	INDICATION
1	FM	Point of no signal and no interference	FM Gen. connected to ungrounded tube shield of V2	10.7 MC	None	DC VTVM	to test point 3	Z1, Z2, Z3, Z4, and Z5 top and bottom	Maximum negative voltage
2	FM	Point of no signal and no interference	FM Gen. connected to ungrounded tube shield of V2	10.7 MC	None	DC VTVM	Connect hot lead of DC VTVM to MPX output, ground to junction of resistors (47K) connected in series from TSP3 to GND.	Z5, top	Zero reading on zero center scale
3	FM	90 MC	FM Gen. connected thru two 120-ohm carbon resistors in series with lead to antenna terminals Normal.	90 MC	30% FM (22.5 KC Dev.) at 400 cps	DC VTVM	to TSP3 and scope to Ch. A. Rec. output	L4, L3, L2 and L1	Check for sine waveform and adjust for maximum negative voltage
4	FM	106 MC	FM Gen. connected thru two 120-ohm carbon resistors in series with lead to antenna terminals Normal.	106 MC	30% FM (22.5 KC Dev.) at 400 cps	DC VTVM	to TSP3 and scope to Ch. A. Rec. output	C19, C12 and C5	Check for sine waveform and adjust for maximum negative voltage
5	Repeat steps 3 and 4 for proper dial calibration and maximum output.								

**FM  
ALIGNMENT**



# ALIGNMENT INSTRUCTIONS • MULTIPLEX SECTION

STEPS	GENERATOR			INDICATOR	ALIGNMENT		
	CONNECTION	AUDIO FREQUENCY	RF MODULATION	TYPE & CONNECTION	ADJUST	INDICATION	NOTES
1	Audio oscillator connected to lug 1	80 KC—1 volt	None	AC VTVM to junction of C210 and R228	L100 (Use hex alignment tool)	Minimum voltage	
2	Multiplex generator audio output to lug 1 (See Note 1)	19 KC ( $\pm 5$ cps) pilot tone, 100 mv	None	DC VTVM to T.S.P. 101	Z100 top and bottom (Use hex alignment tool)	Maximum voltage	1
3	Same as Step 2	19 KC pilot tone, 50 mv	None	Scope horiz. input to 19 KC output of gen.; vert. input to junction of C216 and R209. External sweep	Z101 (Use K-tran alignment tool)	Stable 2:1 Lissajous pattern. Disregard phase of pattern	1
4	Same as Step 2	19 KC	None	Same as Step 3	Vary generator 19 KC output from 50 to 200 mv	Lissajous pattern should remain stationary over the entire 150 mv range	1, 2
5	Same as Step 2	1000 cps on left (A) channel only, 1 volt rms (2.8 P-P)	None	AC VTVM and scope vert. input to channel A output lug. Internal sweep. DC VTVM to T.S.P. 101	Z100 top (Use hex tool)	Maximum indication on AC VTVM. Clean 1000 cps waveform on scope	1, 3
6	Same as Step 2	1000 cps on right (B) channel only, 1 volt rms (2.8 P-P)	None	Same as Step 5	MPX separation R215	Minimum reading on AC VTVM should be at least 33 db below reading obtained in Step 5	1
7	Same as Step 2	Same as Step 6	None	Move scope input and AC VTVM to channel B output lug	-----	Note and record voltage reading on AC VTVM	1
8	Same as Step 2	1000 cps on left (A) channel only, 1 volt rms (2.8 P-P)	None	Same as Step 7	-----	AC VTVM reading should be at least 33 db below reading observed in Step 7	1
9	Same as Step 2	8000 cps on right (B) channel only, 1 volt rms (2.8 P-P)	None	Same as Step 7	-----	AC VTVM reading should be the same as observed in Step 7	1
10	Same as Step 2	8000 cps on left (A) channel only, 1 volt rms (2.8 P-P)	None	Same as Step 7	-----	AC VTVM reading should be at least 18 db below reading observed in Step 9	1
11	Repeat Steps 9 and 10 with scope and AC VTVM connected to channel A output lug, but start with 8000 cps applied to left channel for first reading, then switch to right channel for second reading.						
12	Multiplex generator RF output to 300-ohm antenna terminals	1000 cps on left (A) channel only	100% (75 KC Dev.) No pre-emphasis	Move scope input and AC VTVM to channel A output lug	-----	Note and record voltage reading on AC VTVM	4
13	Same as Step 12	1000 cps on right (B) channel only	Same as Step 12	Same as Step 12	R215	Minimum reading on AC VTVM should be at least 33 db below reading observed in Step 12	4
14	Same as Step 12	8000 cps on left (A) channel only	Same as Step 12	Same as Step 12	-----	AC VTVM reading should be 10 db below reading observed in Step 12	4
15	Same as Step 12	8000 cps on right (B) channel only	Same as Step 12	Same as Step 12	-----	AC VTVM reading should be 28 db below reading observed in Step 12	4

**NOTE:** The above procedure is based on the use of the FISHER Model 300 Multiplex Generator.

1 — In steps 2 through 11, the audio output of the Multiplex Generator should be connected to lug 1 of the multiplex sub-chassis through a 12,000 ohm, ½-watt, carbon resistor, and a 180 uuf capacitor should be connected between lug 1 and ground. The wiring from the MPX TEST jack on the main chassis to lug 1 must be disconnected during Steps 2 through 11.

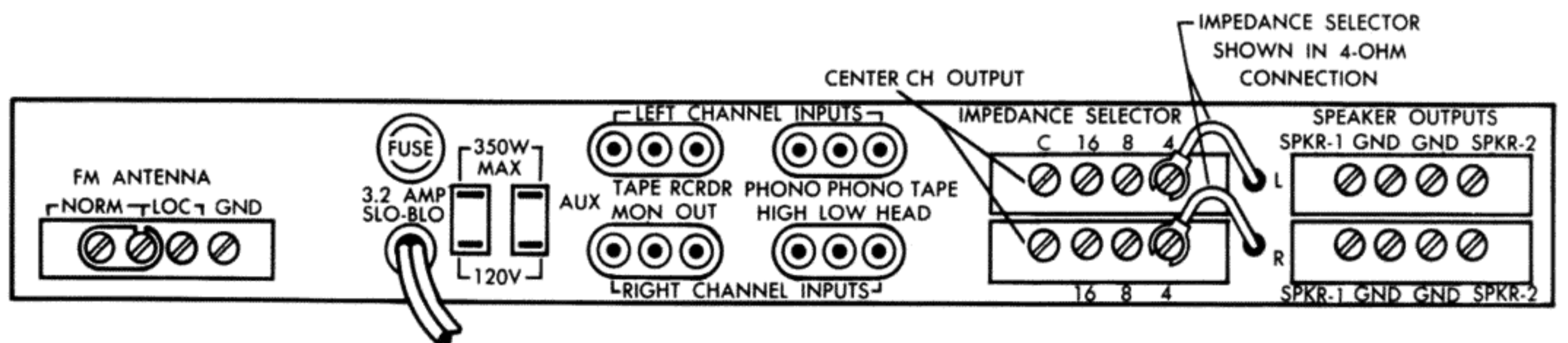
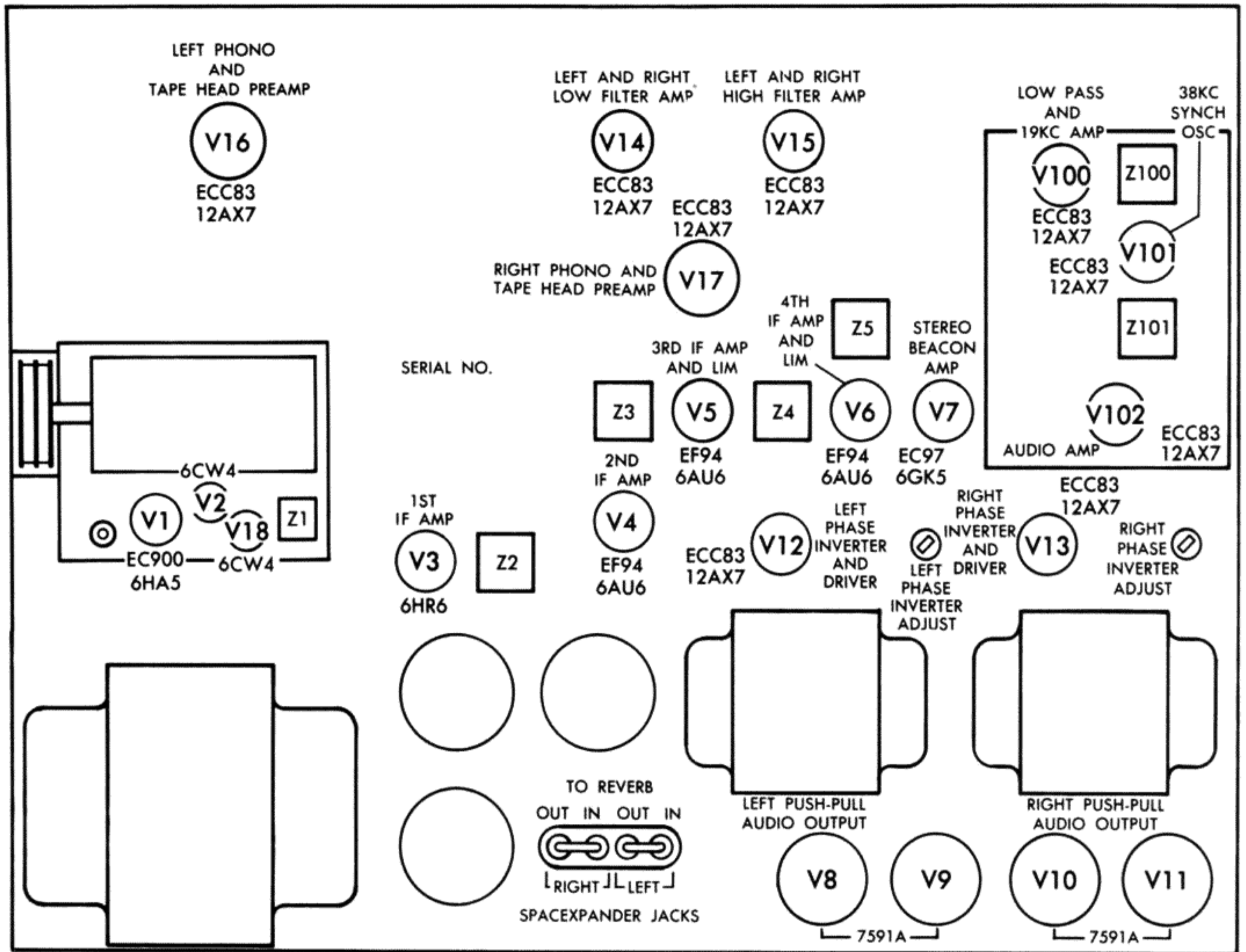
2 — The vertical amplitude of the Lissajous pattern will increase slightly

as the generator output is increased. This is a normal occurrence.

3 — If DC VTVM reading falls below -9 volts when maximum reading is obtained on the AC VTVM, readjust bottom of Z100, then repeat Step 5. Repeat this procedure until maximum AC VTVM reading is obtained with DC VTVM reading greater than -9 volts.

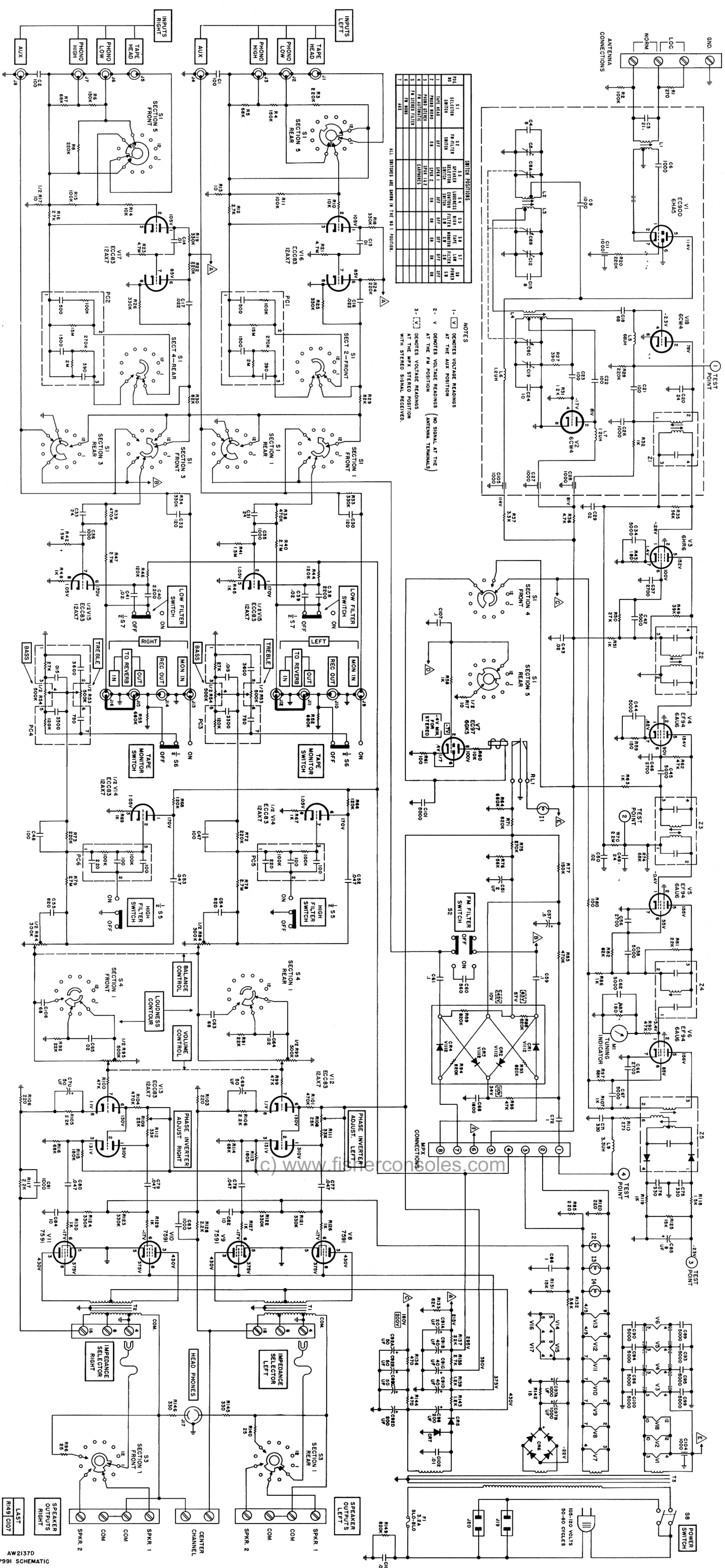
4 — Tune the FISHER Generator to the RF output frequency of the Multiplex Generator.

# TUBE LAYOUT





# SCHEMATIC DIAGRAM • TUNER AND PREAMPLIFIER



SWITCH POSITION	SECTION 1	SECTION 2	SECTION 3	SECTION 4	SECTION 5
FM FILTER	ON	OFF	OFF	OFF	OFF
FM FILTER	OFF	ON	ON	ON	ON
FM FILTER	OFF	OFF	ON	ON	ON
FM FILTER	OFF	OFF	OFF	ON	ON
FM FILTER	OFF	OFF	OFF	OFF	ON
FM FILTER	OFF	OFF	OFF	OFF	OFF

NOTES

1 - [V] DENOTES VOLTAGE READINGS AT THE A.M.P. POSITION

2 - [V] DENOTES VOLTAGE READINGS (NO SIGNAL AT THE) AT THE F.M. POSITION

3 - [V] DENOTES VOLTAGE READINGS AT THE M.P.R. STEREO POSITION WITH STEREO SIGNAL RECEIVED.



# PARTS DESCRIPTION LIST • MULTIPLEX SECTION

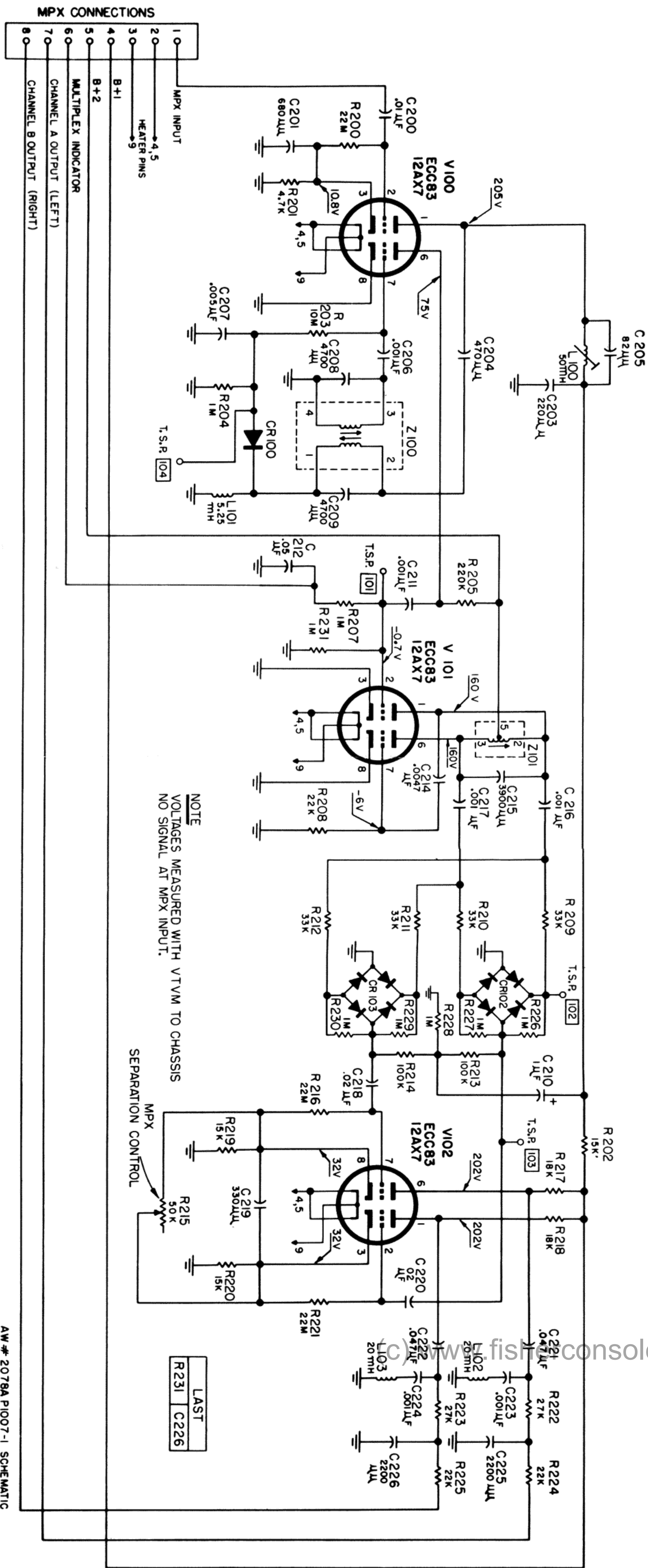
**CAPACITORS**

10% tolerance for all fixed capacitors, unless otherwise noted or marked GMV (guaranteed minimum value). All capacitors not marked uf are pf (uuf).

Symbol	Description	Part No.	Symbol	Description	Part No.	Symbol	Description	Part No.	Symbol	Description	Part No.
C200	Ceramic, .01uf, +80 -20%, 500V	C50089-7	C212	Ceramic, .05uf, +80 -20%, 100V	C50073-2	R201	Composition, 4.7K, 1/2 W	RC208F472J	R224, 225	Dep. Carbon, 22K	R12DC223J
C201	Ceramic, 680, 1000V	C50072-2	C214	Mylar, 4700, 400V	C50197-25	R202	Composition, 15K, 1/2 W	RC208F153J	R226, 227,		
C203	Ceramic, 220, 1000V	C50183-3	C215	Mica, 3900, 5%, 500V	C50332-6	R203	Composition, 10M, 10%, 1/2 W	RC208F106K	228, 229,		
C204	Polystyrene, 470, 5%, 500V	C50394-1	C216, 217	Ceramic, 1000, GMV, 500V	C50089-2	R204	Dep. Carbon, 1M	R12DC105J	230, 231	Dep. Carbon, 1M	R12DC105J
C205	Ceramic, 82, 1000V	C50070-1	C218	Ceramic, .02uf, 20%, 500V	C50089-5	R205	Dep. Carbon, 220K, 1/2 W	R33DC224J			
C206	Ceramic, 1000, GMV, 500V	C50089-2	C219	Ceramic, 330, 1000V	C50183-5	R207	Dep. Carbon, 1M	R12DC105J			
C207	Ceramic, 5000, +80 -20%, 500V	C50089-6	C220	Ceramic, .02uf, 20%, 500V	C50089-5	R208	Dep. Carbon, 22K	R12DC223J			
C208, 209	Mica, 4700, 5%, 500V	C50332-5	C221, 222	Mylar, .047uf, 250V	C50197-52	R209, 210,					
C210	Electrolytic, 1uf, 350V	C50283-3	C223, 224	Ceramic, 1000, 1000V	C50072-3	211, 212	Dep. Carbon, 33K	R12DC333J			
C211	Ceramic, 1000, GMV, 500V	C50089-2	C225, 226	Ceramic, 2200, 1000V	C50072-5	R213, 214	Dep. Carbon, 100K	R12DC104J			
						R215	Potentiometer, 50K, MPX Separation	R50150-4			
						R216	Composition, 22M, 10%, 1/2 W	RC208F226K			
						R217, 218	Dep. Carbon, 18K, 1/2 W	R33DC183J			
						R219, 220	Dep. Carbon, 15K, 1/2 W	R33DC153J			
						R221	Composition, 22M, 10%, 1/2 W	RC208F226K			
						R222, 223	Dep. Carbon, 27K	R12DC273J			

Symbol	Description	Part No.
CR100, 102,	Diodes, Type 1112	V-1112
L100	Coil, low pass	L50210-30
L101	Coil, 5.25MH	L50334-1
L102, 103	Coil, 20MH	L50334-2
Z100	Transformer, 19Kc	ZZ50210-34
Z101	Coil, 38Kc	ZZ50210-33

## SCHEMATIC DIAGRAM • MULTIPLEX SECTION





# SERVICE NOTES



**FISHER RADIO CORPORATION • NEW YORK**

N 991 - 103 CXA

© 1963 FISHER RADIO CORPORATION

PRINTED IN U. S. A.

819 - P22C - 93